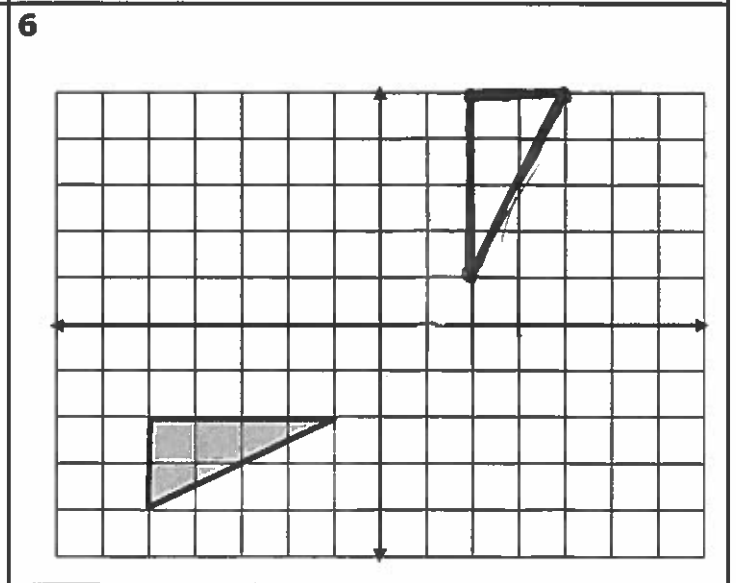
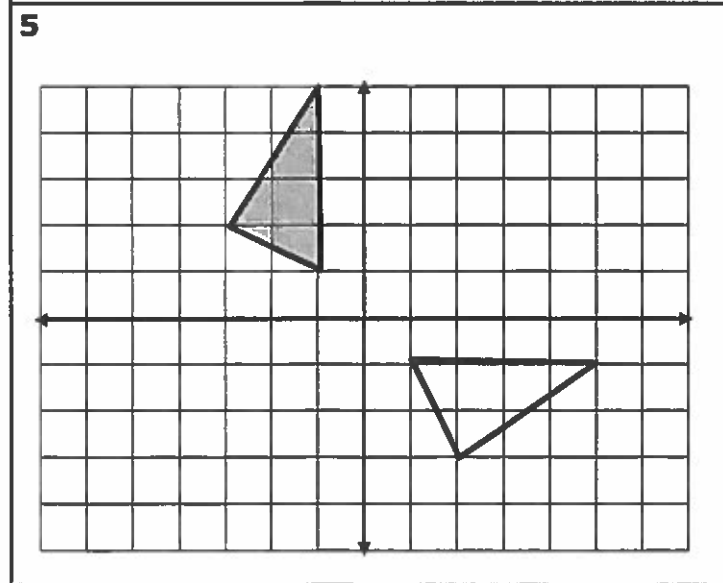
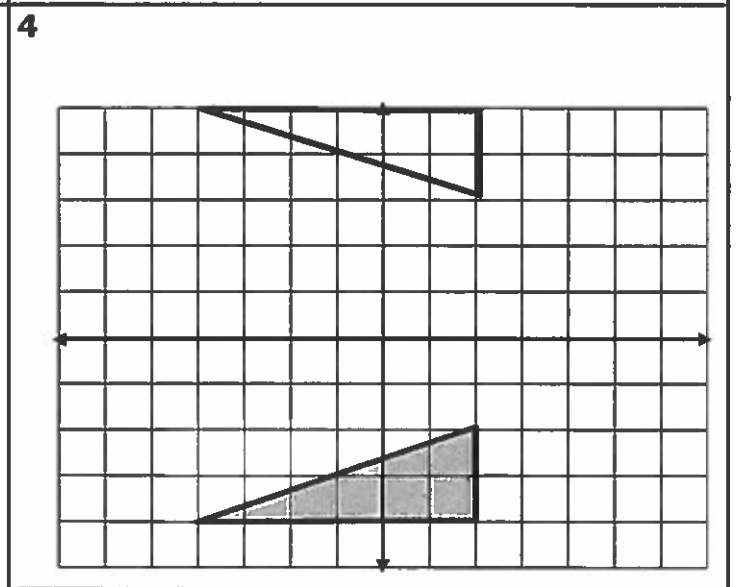
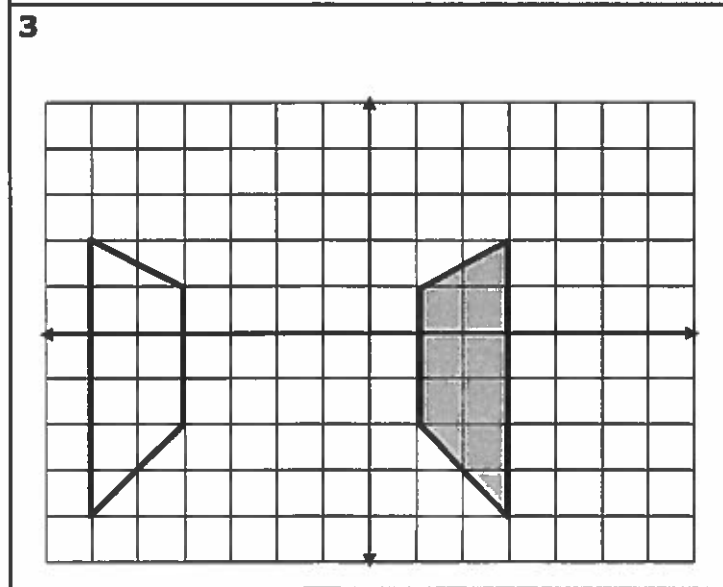
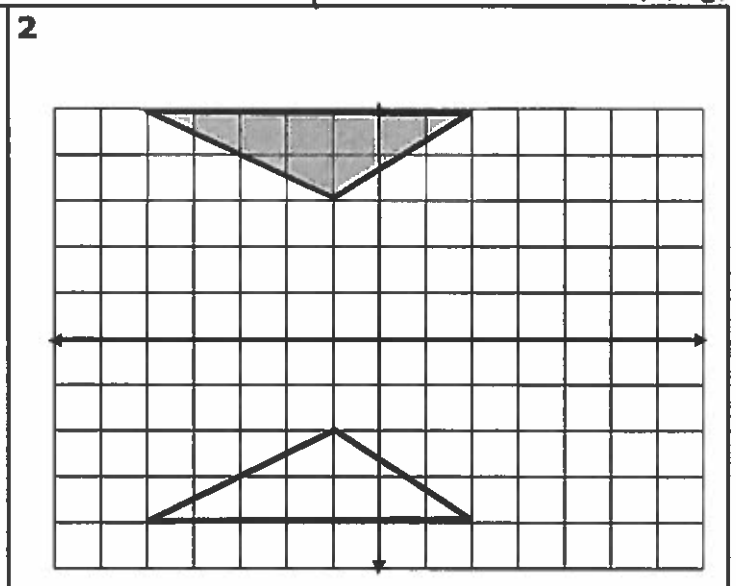
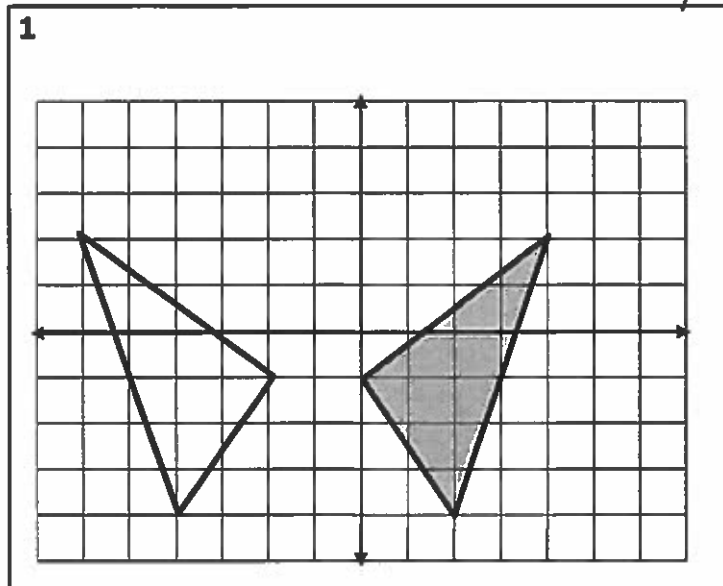
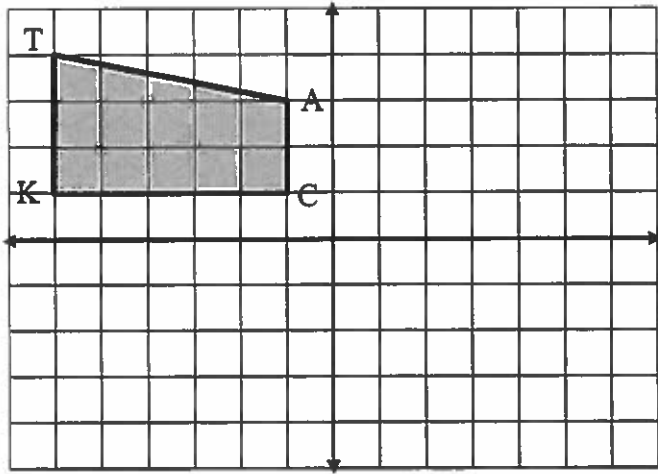


**Directions:** In each problem, a figure and its image are shown. Draw the line of reflection that will map the original onto its reflected image, and write the equation of that line.

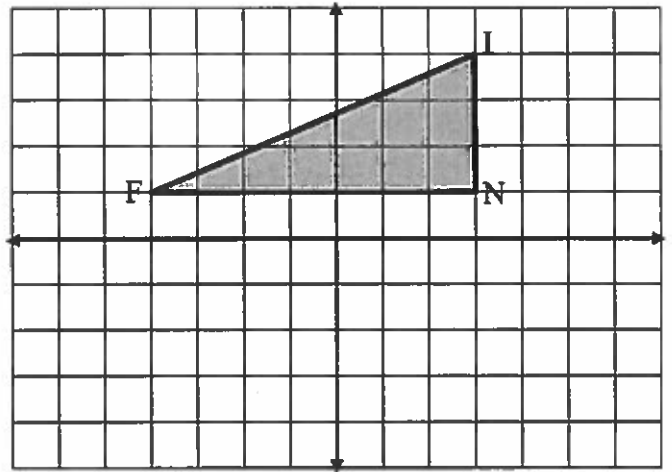


**Directions:** Use patty paper, Geometry software, or any other method to reflect each figure as directed. Make sure to label your image figure correctly.

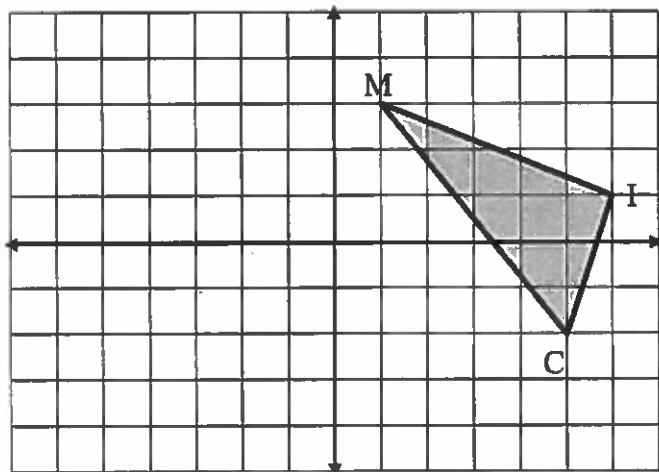
1. Reflect TACK across the line  $y=x$



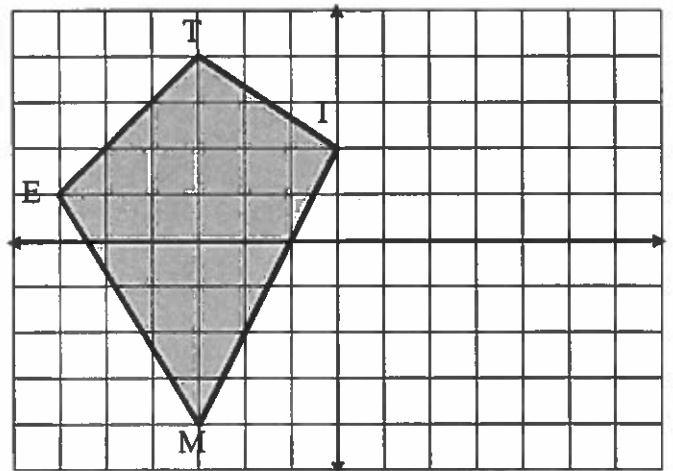
2. Reflect FIN across the line  $y=0$ .



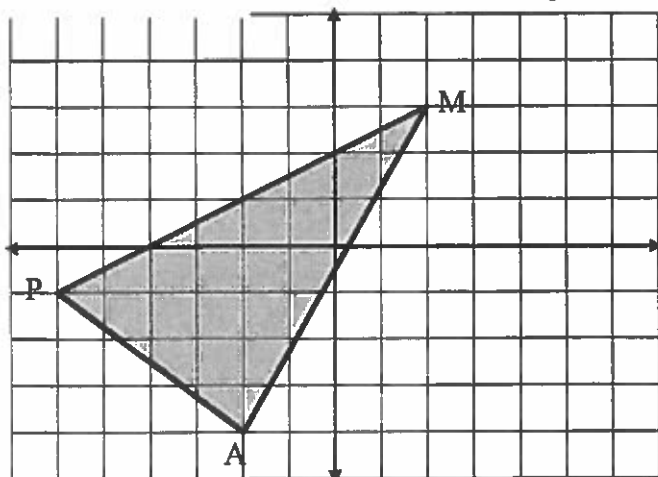
3. Reflect MIC across the line  $y=-x$



4. Reflect TIME across the line  $x=0$ .



5. Reflect MAP across the line  $y=-1$



6. Reflect VAN across the line  $x=1$

